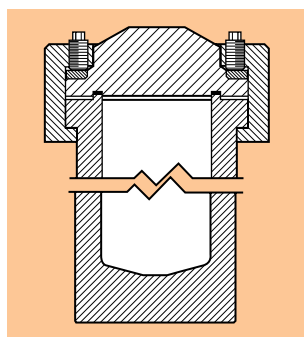


4680

## Series 4680 High Pressure/High Temp. Vessels: 1 &amp; 1.8 Liters



Cross Section 4680-4683

Model 4681, 1000 mL Vessel,  
with Gage BlockModel 4681, 1000 mL Vessel,  
in 4931 Heater with 4842 Temperature Controller

## Series 4680 Pressure Vessel Specifications

Shaded bar indicates specifications that change within series.

Model Number	4680	4681	4682	4683
Sizes, mL	1000		1800	
Maximum Pressure @ 350 °C	6000 psi (410 bar)			
Maximum Temperature	600 °C			
Max. Pressure at Max. Temperature	4200 (290)			
Closure (Cap Screws)	Split-Ring (12)			
Gasket	Flat - FG			
<b>Vessel Dimensions</b>				
Inside Diameter, inches	3.75			
Inside Depth, inches	6.12		10.5	
Weight of Vessel, pounds	75		90	
<b>Head Style</b>				
Opening	Blank	"B" Socket	Blank	"B" Socket
Thermowell	No	Yes	No	Yes
<b>Heater</b>				
Catalog Number	4931		4932	
Wattage	2300		2500	
Style	Ceramic Fiber			
<b>Mounting</b>	Floor Stand			
<b>Maximum Head Openings</b>	8			
<b>Recommended Gage Block</b>	4317			