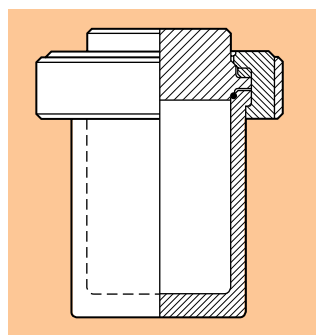
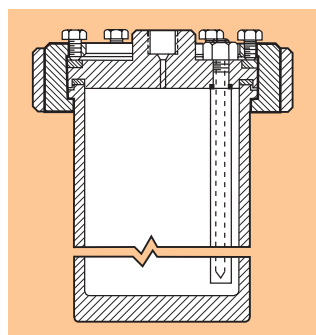


4600-20

## Series 4600-4620 General Purpose Vessels: 1 &amp; 2 Liters



Cross Section 4601Q



Cross Section 4621

Model 4621, 1000 mL Vessel with PTFE Gasket,  
4317 Gage Block Assembly and ThermowellModel 4601, 1000 mL  
Vessel with Blank Head

## Series 4600 - 4620 Pressure Vessel Specifications

Shaded bar indicates specifications that change within series.

Model Number	4601(Q)*	4611(Q)*	4621(Q)*	4602(Q)*	4612(Q)*	4622(Q)*
Sizes, mL	1000			2000		
Maximum Pressure	1900 psi (130 bar)					
<b>Maximum Temperature</b>						
with FKM O-Ring	225 °C					
with PTFE - Flat gasket	350 °C					
Closure (Cap Screws)	Split-Ring (None*) or (6)					
Gasket	O-Ring - FKM or PTFE Flat Gasket					
<b>Vessel Dimensions</b>						
Inside Diameter, inches	4.0					
Inside Depth, inches	5.32			10.44		
Weight of Vessel, pounds	19			27		
<b>Head Style</b>						
Opening	Blank	"B" Socket	"B" Socket	Blank	"B" Socket	"B" Socket
Thermowell	No	No	Yes	No	No	Yes
<b>Heater</b>						
Catalog Number	4913					
Wattage	1500					
Style	Calrod					
<b>Mounting</b>	Bench Top					
<b>Maximum Head Openings</b>	6-10					
<b>Recommended Gage Block</b>	4317					

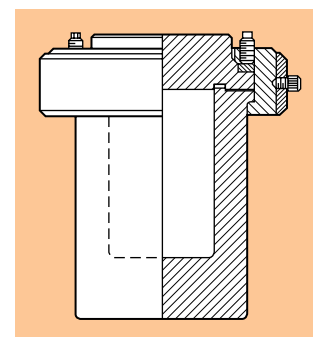
\*add the suffix Q to these catalog numbers to specify vessels with an O-Ring seal and a split ring pair without capscrews

Series 4605-4626 High Pressure Vessels: 600 & 1200 mL

4605-26



Model 4605— 600 mL Vessel



Cross Section 4605

Series 4605 - 4626 Pressure Vessel Specifications

Shaded bar indicates specifications that change within series.

Model Number	4605	4615	4625	4606	4616	4626
Sizes, mL	600			1200		
Maximum Pressure	5000 psi (350 bar)					
Maximum Temperature	350 °C					
Closure (Cap Screws)	Split-Ring (8)					
Gasket	Flat - PTFE					
<b>Vessel Dimensions</b>						
Inside Diameter, inches	3.25					
Inside Depth, inches	4.7			9.8		
Weight of Vessel, pounds	45			60		
<b>Head Style</b>						
Opening	Blank	"B" Socket	"B" Socket	Blank	"B" Socket	"B" Socket
Thermowell	No	No	Yes	No	No	Yes
<b>Heater</b>						
Catalog Number	4913					
Wattage	1500					
Style	Calrod					
<b>Mounting</b>	Bench Top					
<b>Maximum Head Openings</b>	5-7					
<b>Recommended Gage Block</b>	4317					